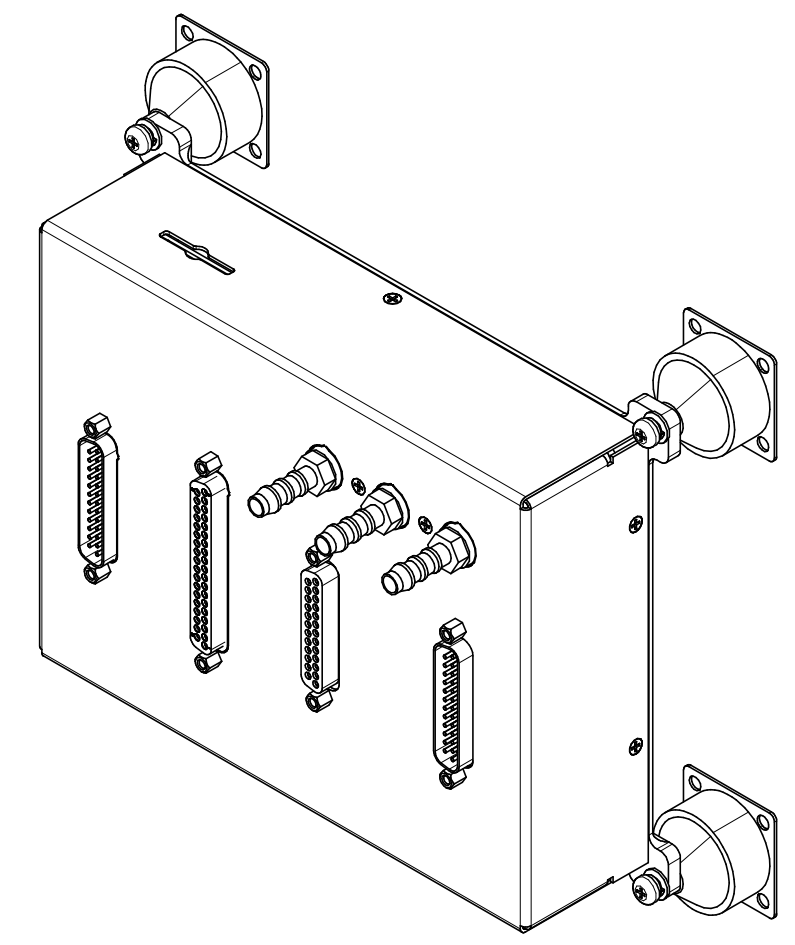
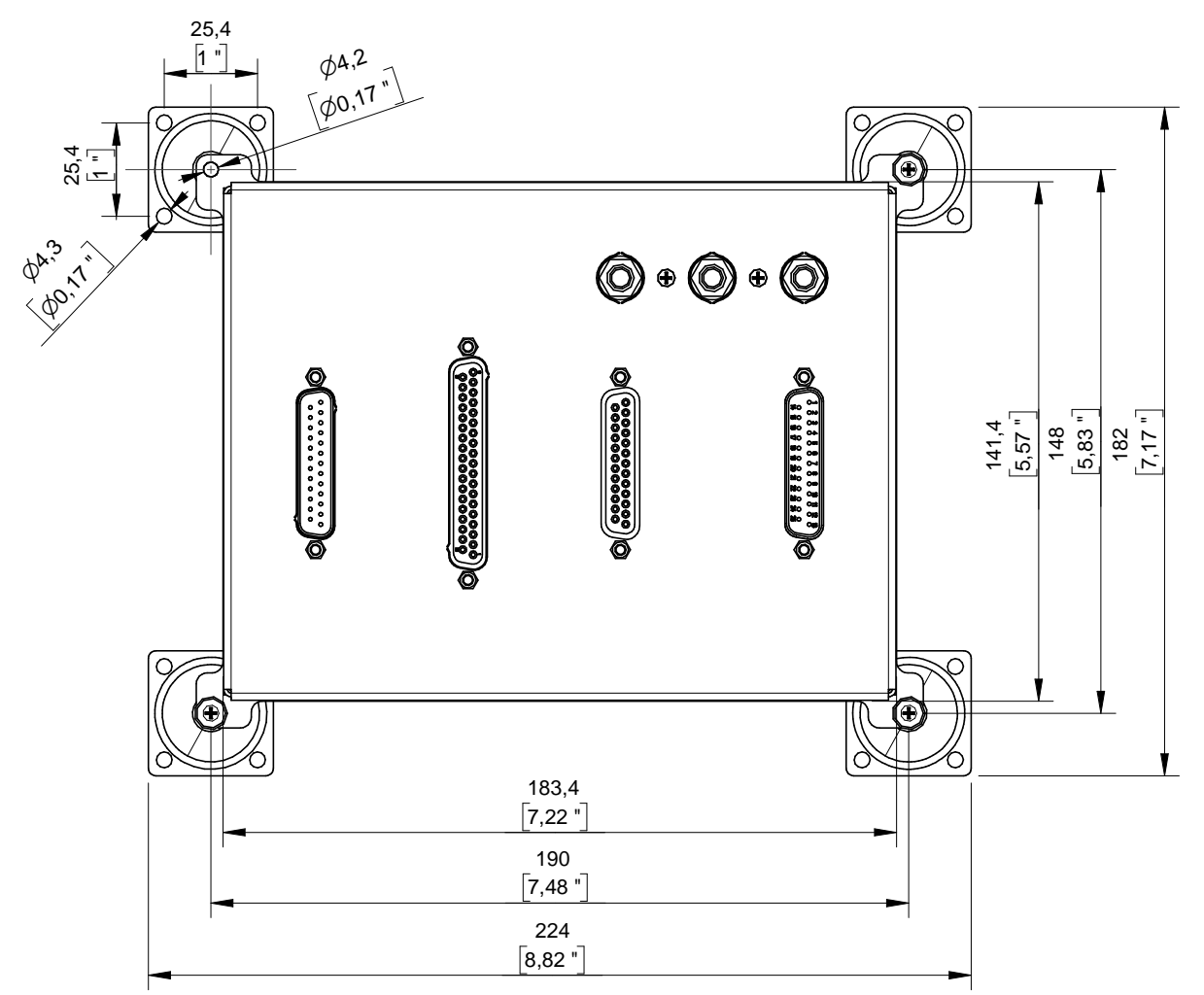
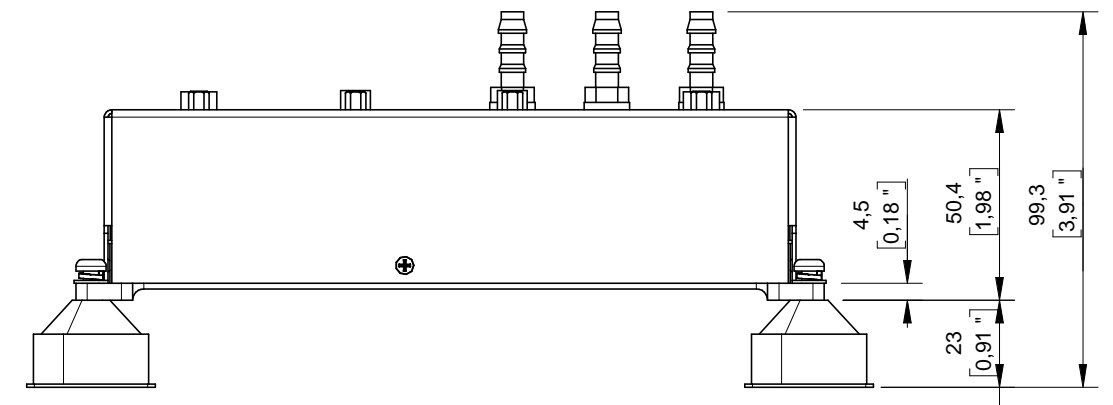


A
B
C
D
E
F

A
B
C
D
E
F



Itemref	Quantity	Title/Name, designation, material, dimension etc	Article No./Reference		
Drawn by Tomas SOMMER	Checked by	Approved by - date	File name	Date 1.5.2013	Scale 1:2
TL elektronik a.s.			INTEGRA - ADAHRS/EMS		
			TLX-6680-KA-095	Edition	Sheet A3