

1

2

3

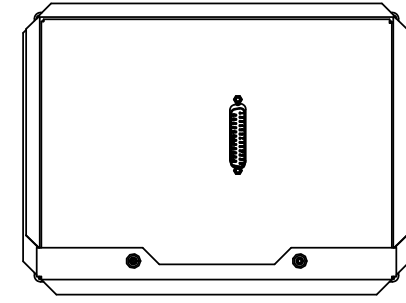
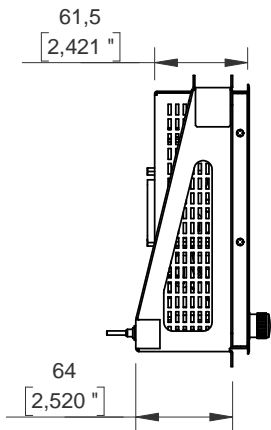
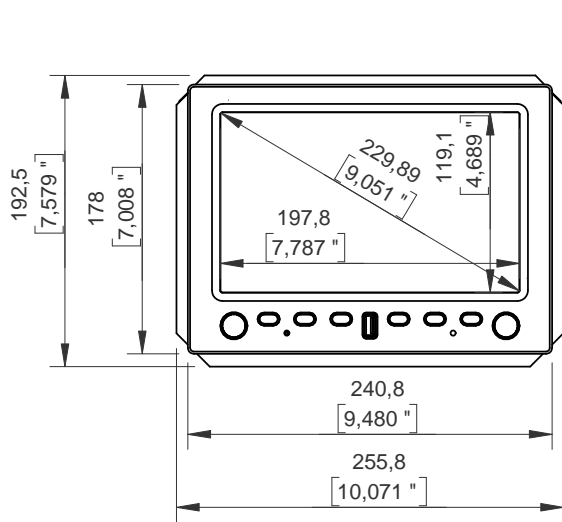
4

5

6

RevNo	Revision note	Date	Signature	Checked
-------	---------------	------	-----------	---------

A



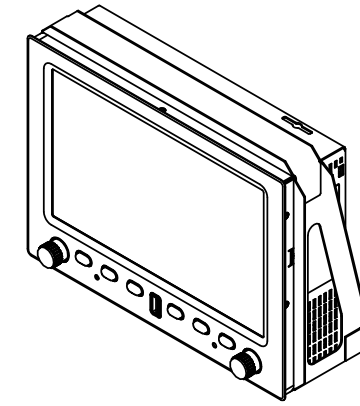
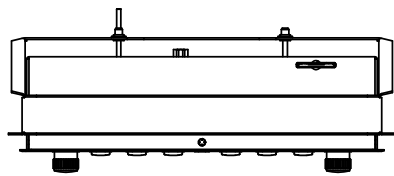
A

B

B

C

C



D

D

Itemref	Quantity	Title/Name, designation, material, dimension etc			Article No./Reference	
Drawn by Tomas SOMMER		Checked by	Approved by - date	File name	Date 22.1.2013	Scale 1:5
TL elektronik a.s.				6860 - INTEGRA Remote Display		
				TLX-6824-KA-005		Edition

1

2

3

6