

RevNo	Revision note	Date	Signature	Checked
-------	---------------	------	-----------	---------

A

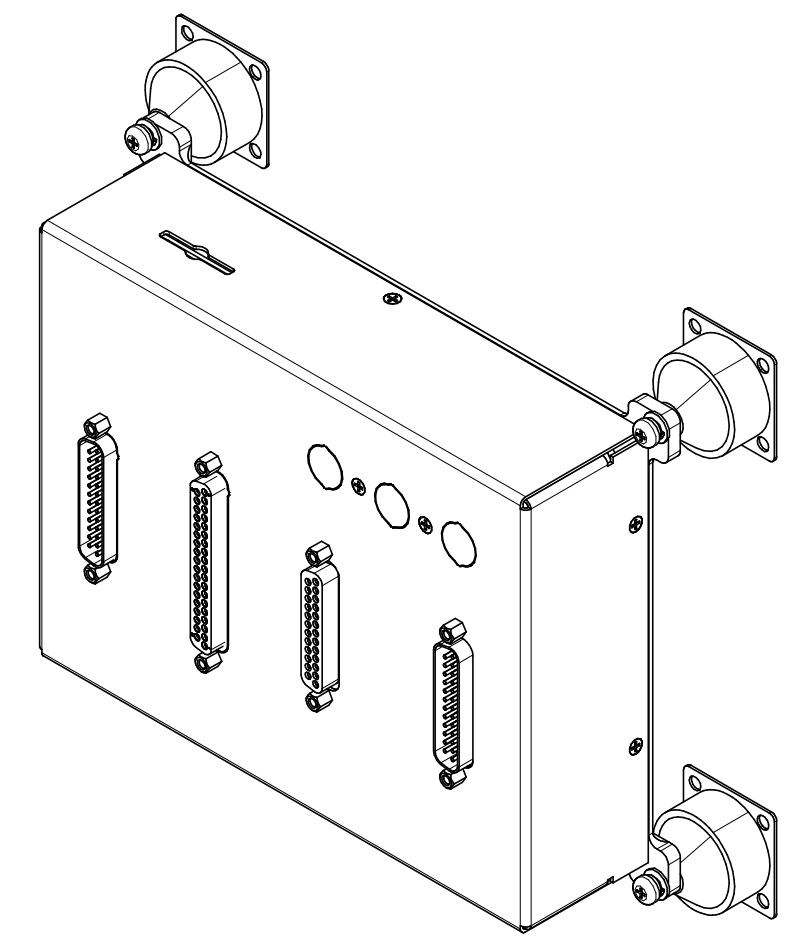
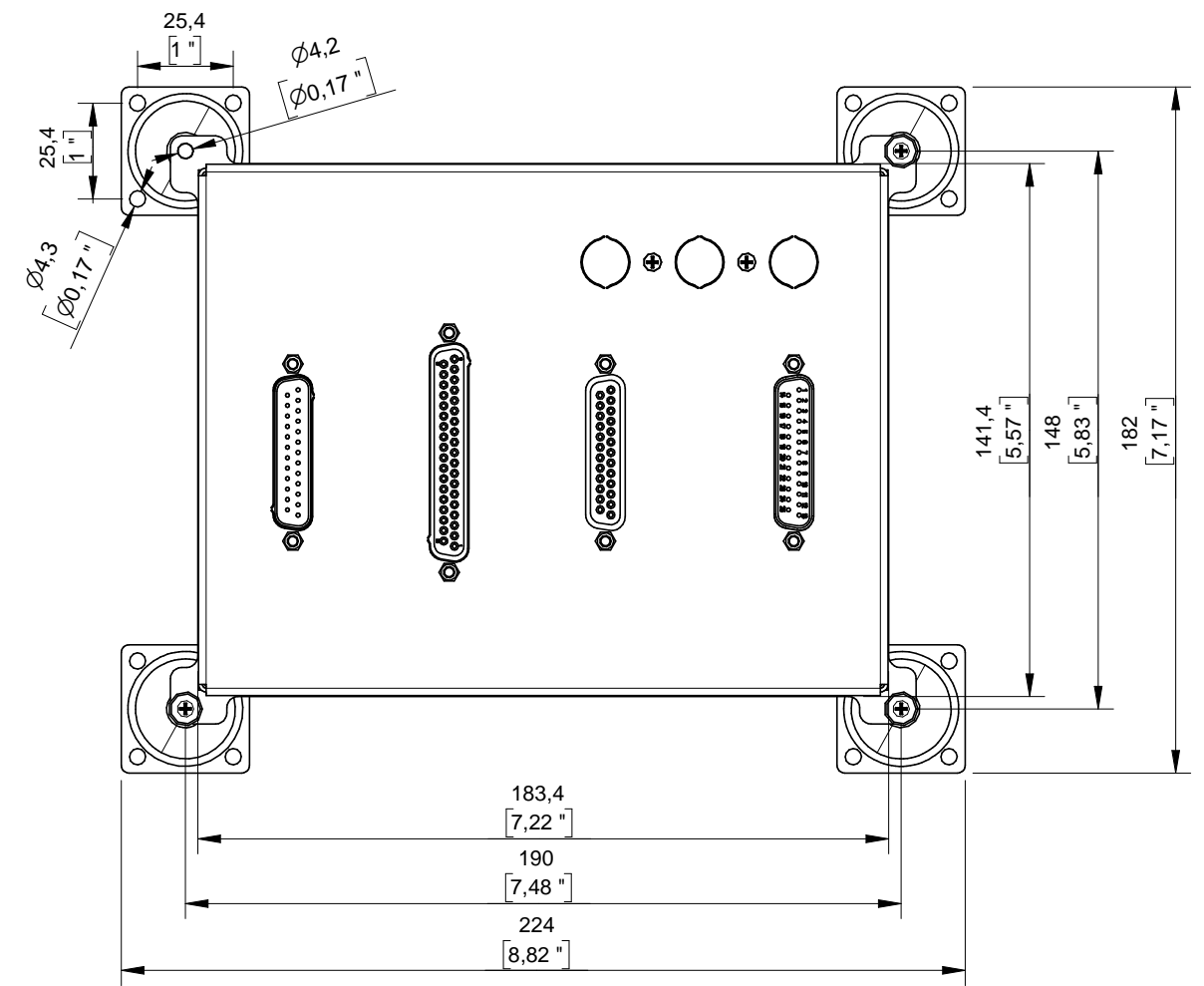
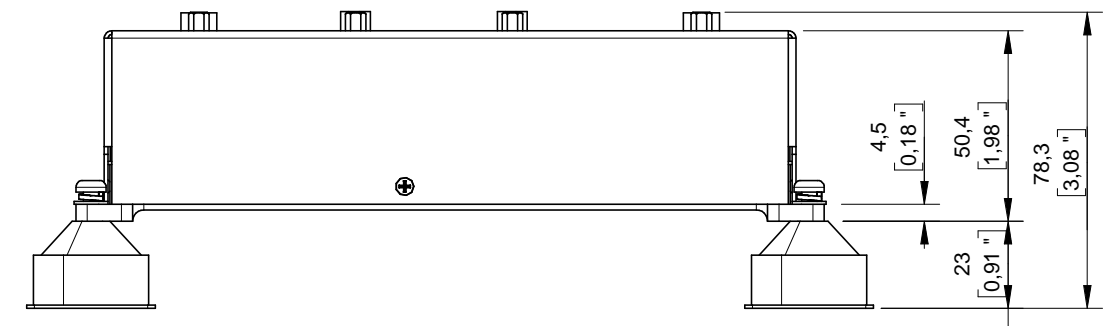
B

C

D

E

F



A

B

C

D

E

F

Itemref	Quantity	Title/Name, designation, material, dimension etc	Article No./Reference		
Drawn by Tomas SOMMER	Checked by	Approved by - date	File name	Date 1.5.2013	Scale 1:2
TL elektronik a.s.			INTEGRA - ADAHRS		
			TLX-6580-KA-097	Edition	Sheet A3