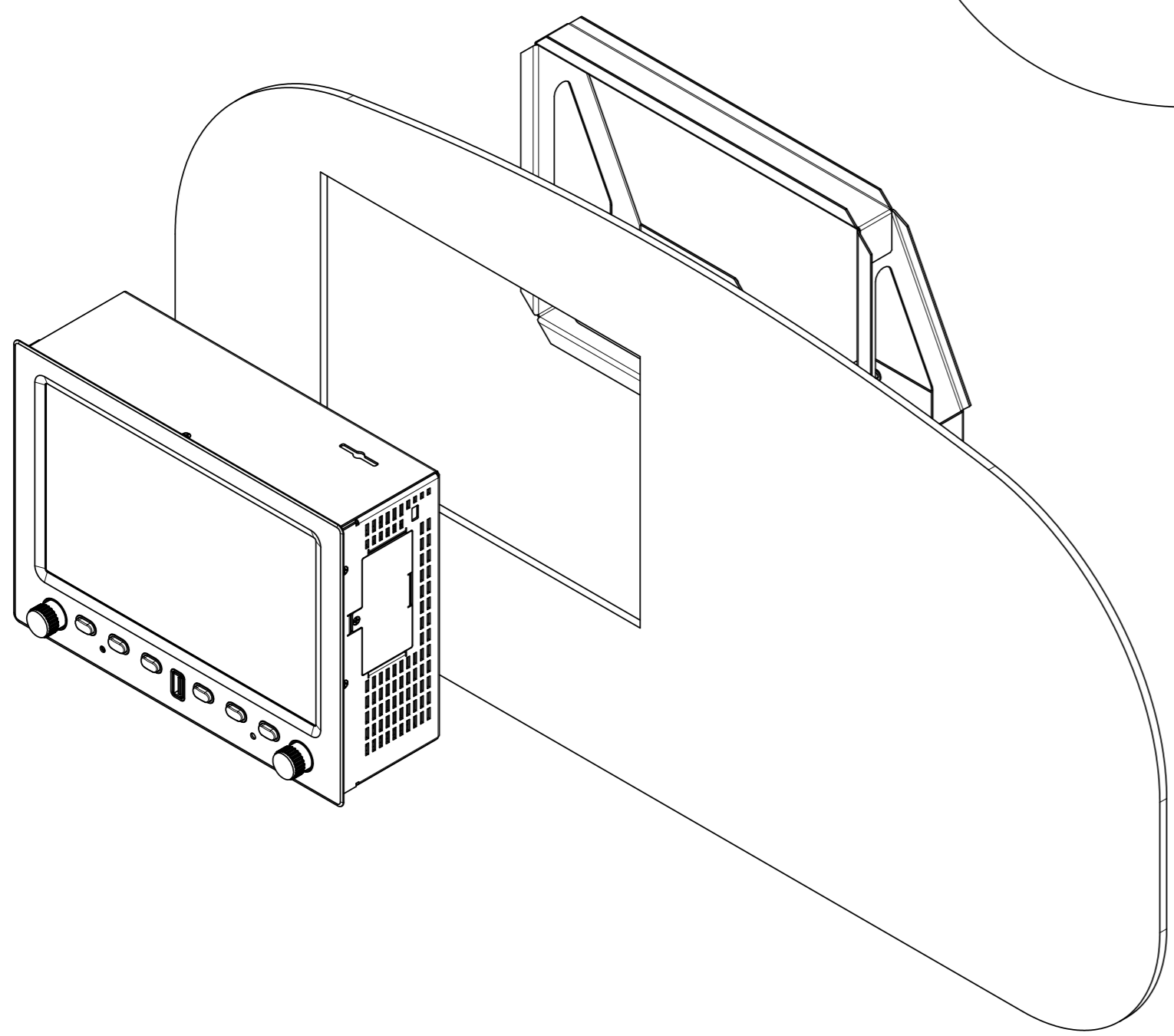
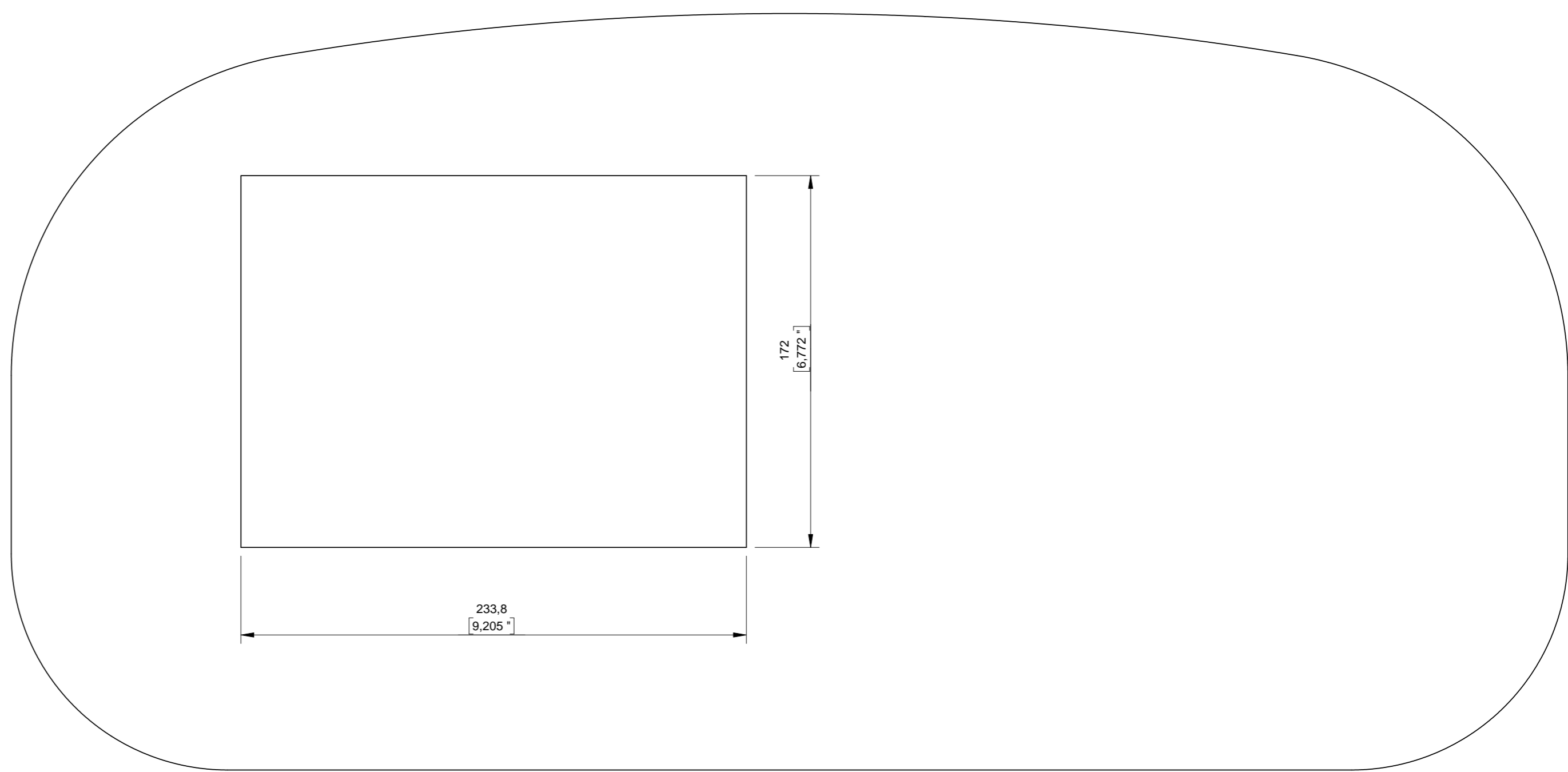


RevNo	Revision note	Date	Signature	Checked
-------	---------------	------	-----------	---------

A  
B  
C  
D  
E  
F  
G  
H

A  
B  
C  
D  
E  
F  
G  
H



Itemref	Quantity	Title/Name, designation, material, dimension etc			Article No./Reference	
Drawn by Tomas SOMMER	Checked by	Approved by - date	Filename	Date 20.1.2013	Scale 1:2	
<b>TL elektronik a.s.</b>			6560 - INTEGRA Zastavba			
			TLX-6560-KA-003	Edition	Sheet A2	