

# APPLICATION NOTE

## Active differential pressure sensor

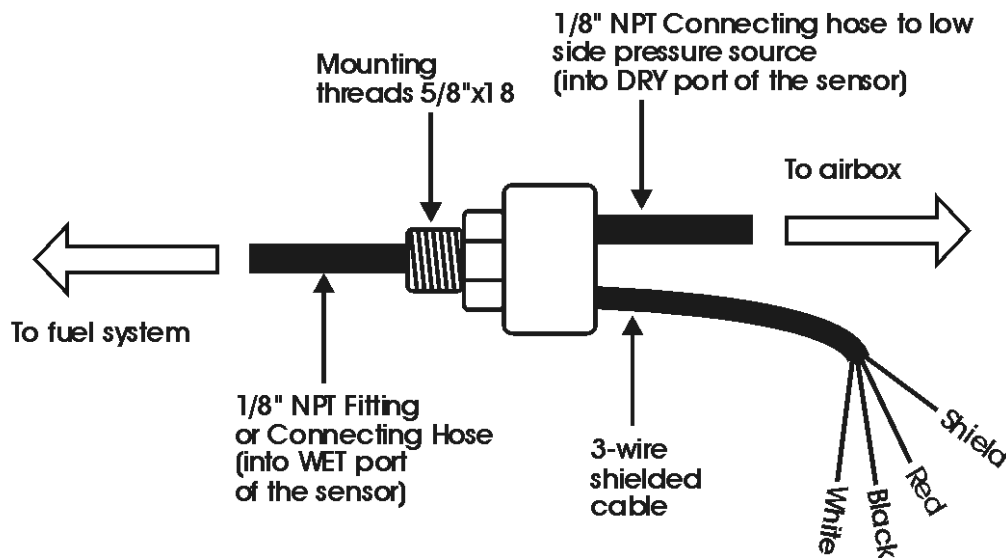
AN-13 for TL-6624, TL-6724

### General Information

The sensor is very precise electronic sensor of differential pressure with long lifetime. The sensor is applicable for oil, avgas, jet fuel, water and other liquids that are not corrosive to aluminum.

**⚠ NOTE:** While installing the sensors in the engine, it is necessary to ensure that the sensor is put in a place with no vibrations, no significant temperature changes, no dampness etc. Place the sensor in the way that the operational temperature of the sensor will not be exceeded.

**⚠ NOTE:** Do not put liquid in the DRY port of the sensor.



EFIS & EMS INTEGRA TL-6624 EMS INTEGRA TL-6724			
Input	Input Name	Sensor w/colour	I/O
P03 - 26	Power for fuel pressure	Red	Out
P03 - 25	Output from fuel pressure sensor	White	In
P03 - 8	Ground for fuel pressure sensor	Black	--
P03 - 8	Ground for fuel pressure sensor	Shield	--

Applicable for: 6624-45; 6724-33

#### Technical information:

Type of Sensor: N1EU07D (U.M.A. Inc, USA)

Pressure Range: 0 to 0.48 BAR (0 to 7 PSI)

Operation Temperature: -55°C to +120°C (-67°F to 248°F)

#### Rev. A

Information furnished by TL elektronik is believed to be accurate and reliable.



TL elektronik, Airport, Building 125, Czech Republic - 503 41 Hradec Kralove

Tel: +420 49 548 23 92, +420 49 548 23 93 • Fax: +420 49 548 23 94  
Internet web page address: www.tl-elektronic.com • e-mail: info@tl-elektronic.com